



CLICK  
MEDICAL

# QuickFit™ Lacer Replacement Dial Kit

Size: SM/MD  
RP0200-130-05



For help visit [Clickmedical.co/support](http://Clickmedical.co/support)



# CLICK



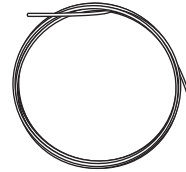
Accidents happen, WE GET IT!  
For any warranty or product failure please DO NOT return to distributor, simply contact CLICK MEDICAL DIRECTLY AT:

Help@ClickMedical.co

Help Line: 970 670 7012

1x Replacement Lace, 1.5m

1x Replacement Dial



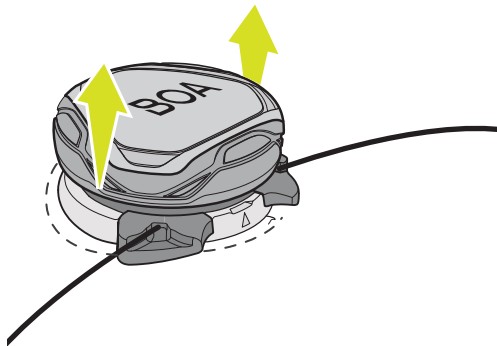
## Compatible With:

QuickFit™ Lacer SM: OK0200-130-05

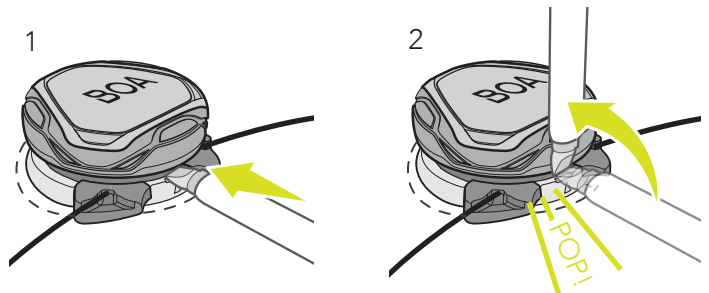
QuickFit™ Lacer MD: OK0220-130-05

CE	REF: OK0100 15
	(MDDI - 93/42/EEC harmonized standard & notified body)
EC REF	Click Medical, LLC 9 Rue Michel Chauvet Geneva 1208 Switzerland
	Click Medical, LLC 1205 Hilltop Parkway Warehouse 101 Steamboat Springs, CO, USA +1-970-670-7012

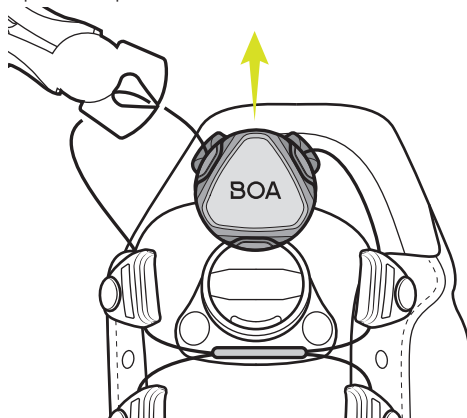
1 Pull to release dial from tensioning



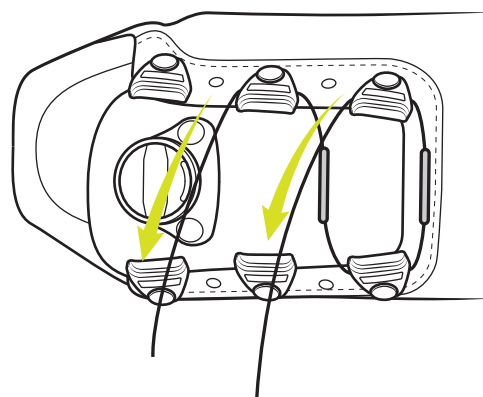
2 Insert flat head screwdriver in tab with arrow indicator located on top of bayonet.



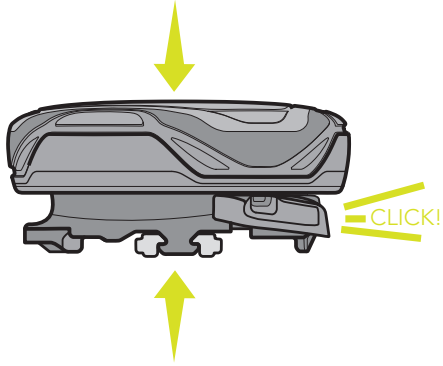
3 Snip lace at port entrance to remove dial from system.



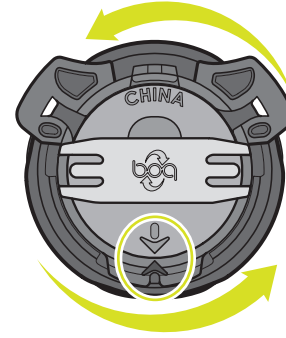
4 Feed new lace through all guides.



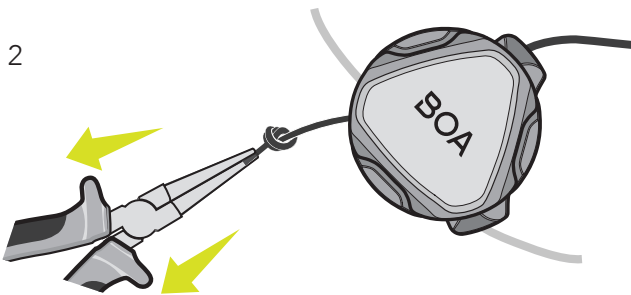
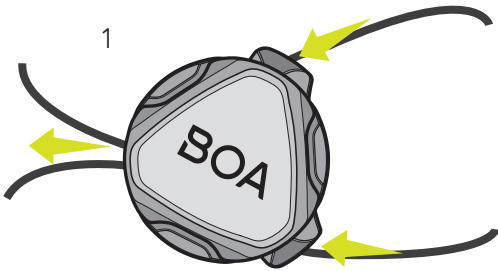
5 Take new dial and press down to close dial.



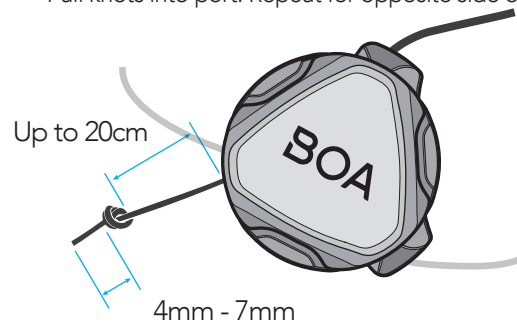
6 On back of new dial, turn until two arrows sync with each other.



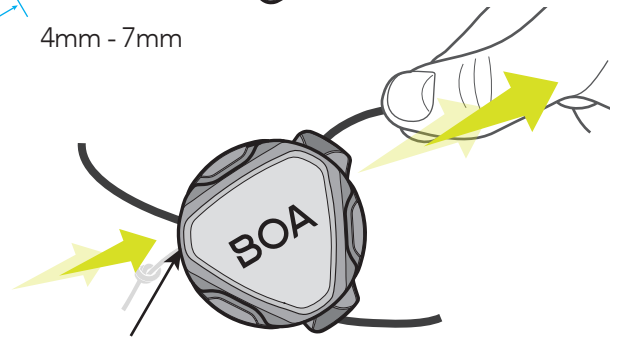
7 Feed right lace through through right reel exit. Tie off with single overhand knot.



3

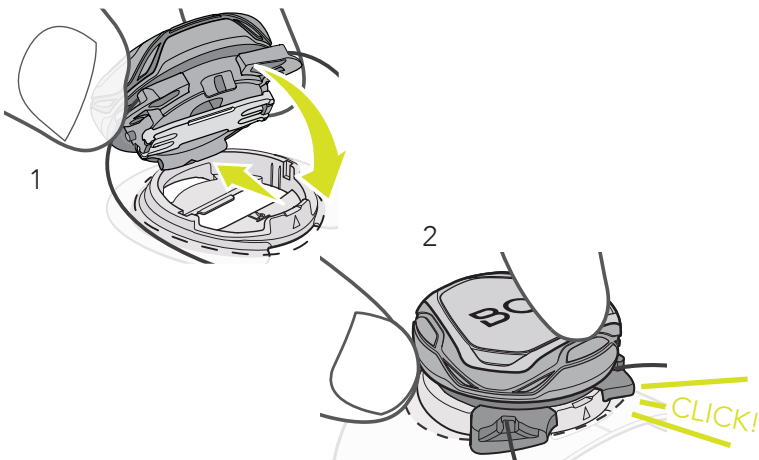


4



Knot and tail should not be visible

8 Snap dial fully into bayonet.



9 Cycle system to test function. Push to engage. Twist to tighten. Pull to release.

